

INSTALLATION SPECIFICATION SHEET

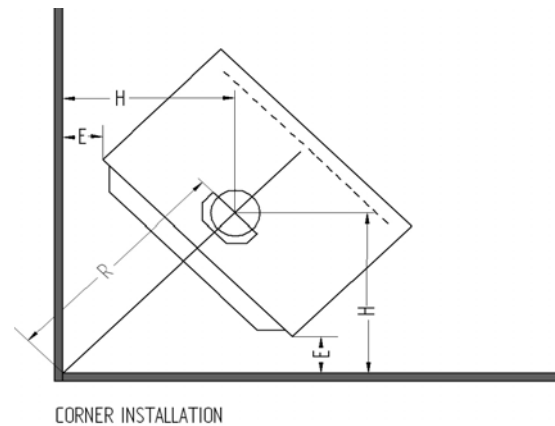
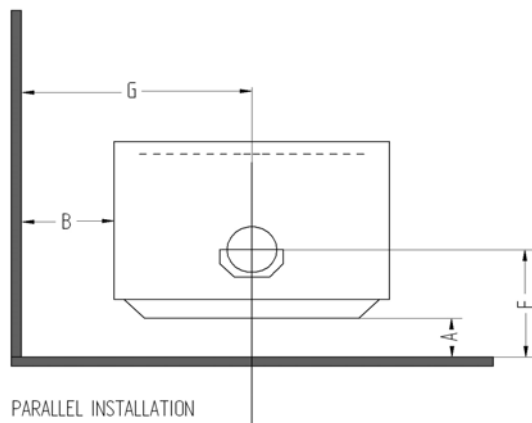
These instructions must be used in conjunction with the 'General Installation Instructions' for MASPORT wood fires.

CLEARANCE REQUIREMENTS

This fire has been tested and complies to the Australian/New Zealand Standard AS/NZS 2918:2001 and all installations must be in accordance with the minimum clearances to combustibles indicated in these instructions.

The minimum clearances to combustibles may be reduced if the combustible walls are shielded with an approved non-combustable material. Details of suitable materials and appropriate clearance reduction factors are present in Section 3 of AS/NZS 2918:2001.

POSITIONING YOUR FREE-STANDING WOODFIRE



NEW ZEALAND

MINIMUM DISTANCES TO HEAT SENSITIVE WALLS (mm)

MODEL	FLUE HEAT SHIELD	A	B	E	F	G	H	R§
MINOS 2	MASPORT DOUBLE SKIN S/S POLISHED	110	240	50	271	540	368	521

AUSTRALIA

MINIMUM DISTANCES TO HEAT SENSITIVE WALLS (mm)

MODEL	FLUE HEAT SHIELD	A	B	E	F	G	H	R§
MINOS CLEAN AIR HW	FLOMET UNIVERSAL FLUE SYSTEM	200	220	100	361	520	418	591
	AIR-GROUP SPECIAL INSULATED FLUE KIT*	100	200	100	261	500	418	591

§ Valid only when the room walls are at 90° to each other.

‡ Note: Clearances are for fire hazard only. For durability of finishes or surfaces you should contact the relevant manufacturer for their specification. Glen Dimplex Australasia Ltd accepts no responsibility for the deterioration of surfaces or finishes.

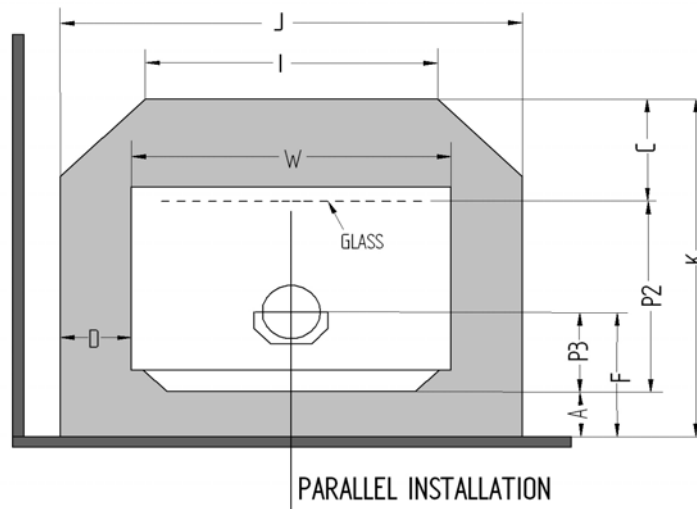
* Air-Group Special Insulated Flue Kit is same as AHD Special Insulated Flue Kit

PRT. NO. **MIR2M738**

DATE: **15.04.2012**

FLOOR PROTECTOR (Hearth) REQUIREMENTS PARALLEL INSTALLATION

MINIMUM FLOOR PROTECTOR DIMENSIONS IN mm



DIMENSIONS IN THE TABLE ARE VALID ONLY WHEN THE FIRE IS EXACTLEY AT ITS MINIMUM ALLOWABLE WALL CLEARANCE.

NEW ZEALAND

MODEL	Flue Shield	Floor Protector height	A#	C#	D	F	I	J	K#	P2	P3	W	Floor Protector Type Ø
Minos 2	MDS		110	300	110	271	520	820	800	390	161	600	AFP

MDS = Masport/Logaire double skin S/S polished 1200 mm shield

AFP = ASH FLOOR PROTECTOR

AUSTRALIA - ALL WITH FLUE HEATSHIELD

MODEL	Flue Shield	Floor Protector height	A#	C#	D	F	I	J	K#	P2	P3	W	Floor Protector Type Ø
MINOS CLEAN AIR HW	FUF		200	300	110	361	520	820	890	390	161	600	AFP
	AGA		100	300	110	261	520	820	790	390	161	600	AFP

FUF = FLOWMET UNIVERSAL FLUE SYSTEM

AGA = AIR GROUP / AHD SPECIAL INSULATED FLUE KIT WITH 900mm S/S REFLECTOR SHIELD

AFP = ASH FLOOR PROTECTOR

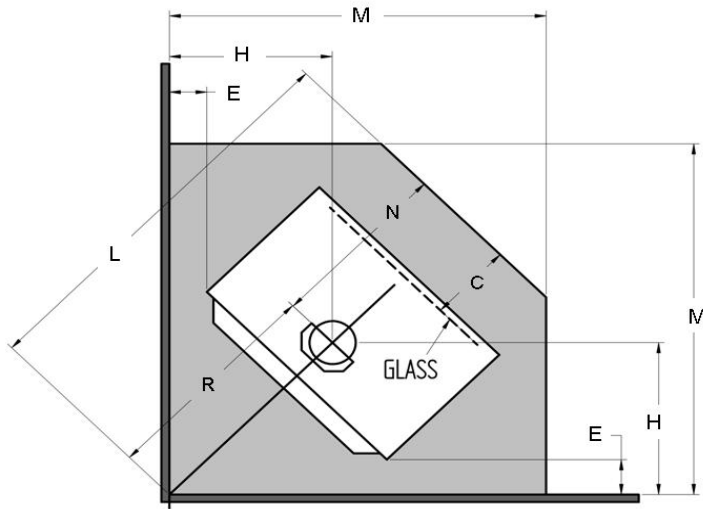
Ø for minimum constructional requirements see general installation instructions.

Valid only when the fire is exactly at its minimum allowable wall clearance.

NOTE: Where a fan is being fitted, you may prefer to increase the 'A' dimension to 100 mm to provide easier access for servicing. If so, the amount you add to 'A' to bring it to 100 mm must also be added to the 'C' and 'S' dimensions.

FLOOR PROTECTORS (Hearth) REQUIREMENTS CORNER INSTALLATION

MINIMUM FLOOR PROTECTOR DIMENSIONS IN mm



DIMENSIONS IN THE TABLE ARE VALID ONLY WHEN THE FIRE IS EXACTLEY AT ITS MINIMUM ALLOWABLE WALL CLEARANCE.

NEW ZEALAND

MODEL	Flue Shield	Floor Protector Distance above Floor	C	E	H#	L#	M#	N	R#	FLOOR PROTECTOR
Minos 2	MDS		300	50	368	1050	926	529	521	AFP

MDS - Masport/Logaire double skin S/S polished 1200 mm shield

AFP = ASH FLOOR PROTECTOR

AUSTRALIA

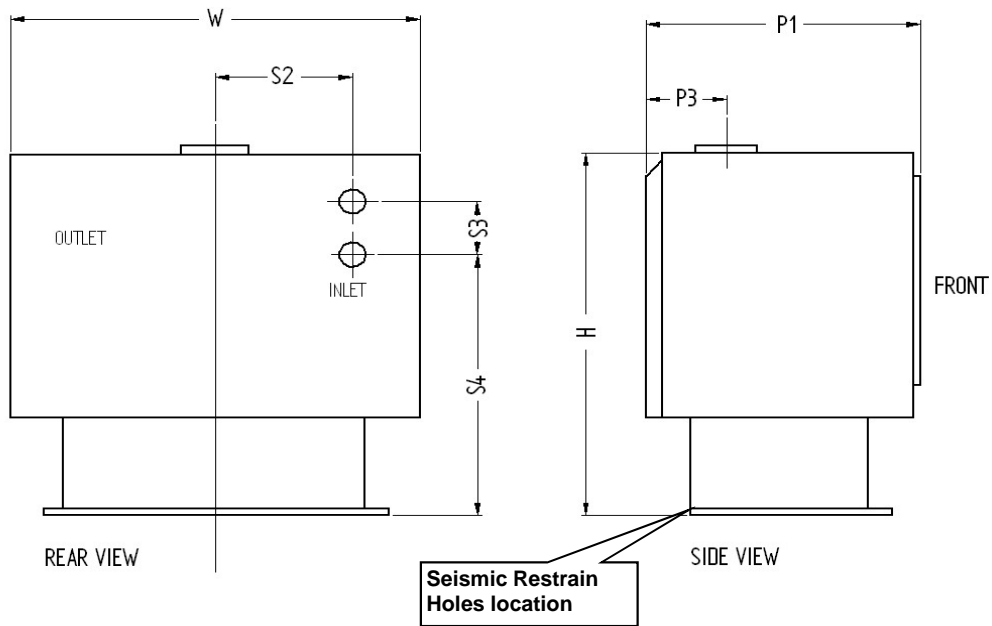
MODEL	Flue Shield	Floor Protector Distance above Floor	C	E	H#	L#	M#	N	R#	FLOOR PROTECTOR
MINOS CLEAN AIR HW	FUF		300	100	418	1120	976	529	591	AFP
	AGA		300	100	418	1120	976	529	591	AFP

FUF = FLOWMET UNIVERSAL FLUE SYSTEM

AGA = AIR GROUP or AHD SPECIAL INSULATED FLUE KIT WITH 900mm S/S REFLECTOR SHIELD

AFP = ASH FLOOR PROTECTOR

FREE STANDING FIRE DIMENSIONS

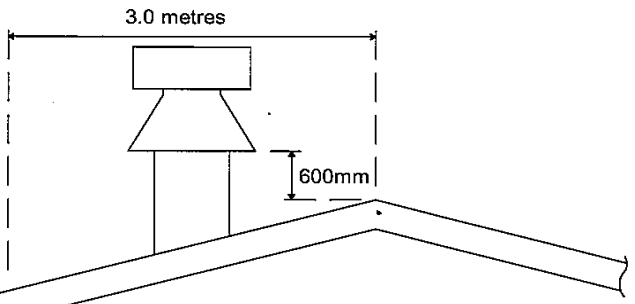
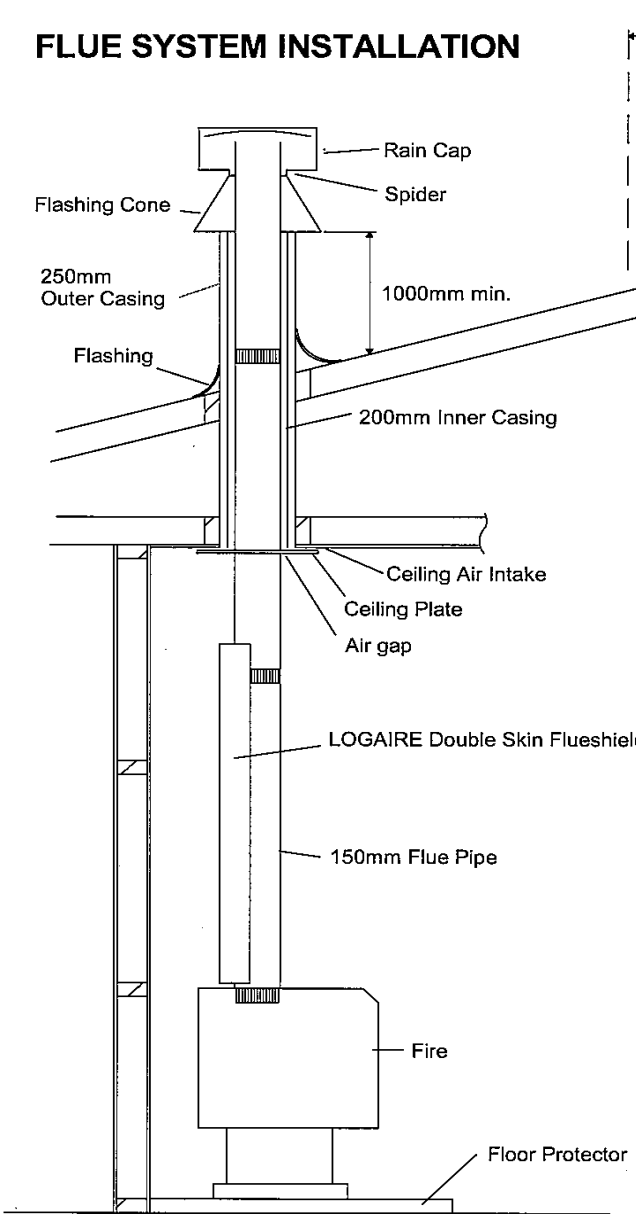


MODEL	P1	P3	H	W	S1	S2	S3	S4
MINOS 2	390	161	635	600	-	183	165	310
MINOS CLEAN AIR HW								

Seismic Restrain - In New Zealand and some part of Australia, it is required that the wood fire and floor protector are secured to prevent shifting in the event of an earthquake. This is best done by fastening the wood fire right through the protector to the floor, using two screws not less than 12 gauge or the equivalent size of coach bolts or toggle fasteners.

THIS FLUE INSTALLATION DIAGRAM BELOW IS VALID FOR NZ INSTALLATIONS ONLY. FOR INSTALLATIONS IN AUSTRALIA, PLEASE REFER TO SPECIFIC FLUE INSTALLATION SPECIFICATIONS.

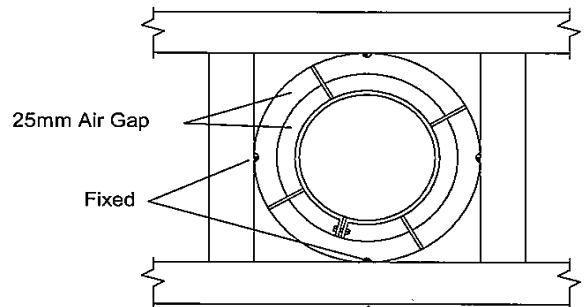
FLUE SYSTEM INSTALLATION



Installation shown complies with AS/NZS 2918:2001. If a flue exits out of the roof within 3 metres from the ridge, the outer shield height shall be not less than 600mm above the ridge. If the flue exits further than 3 metres out from the roof ridge then it must project at least 1000mm above roof penetration. This dimension may need increasing to ensure that the top of the flue is at least 3 metres away from the roof or other obstructions when measured horizontally.

The flue pipe shall extend not less than 4.6m above the top of the floor protector. Due to factors such as roof pitch, predominant winds, nearby obstructions (ie. trees, buildings), and fire placement, flue lengths and hats/cowls may vary.

CEILING PENETRATION PLAN



Above plan is valid only for flue manufactured by Sheetmetal Fabricated Products Ltd, Auckland, New Zealand. For other products, use specific flue installation specifications supplied by the manufacturer.

FLUE SYSTEM INSTALLATION 150mm